

MICOS

MOTION CONTROL & OPTICS **USA**

[Terms](#) | [Sitemap](#) | [About us](#) | [Contact](#) | [Catalog](#) | [Shows](#) | [News](#) | [Offices](#) | [Partners](#) | [Press Center](#) | [Support](#) | [Team](#) | [Home](#)

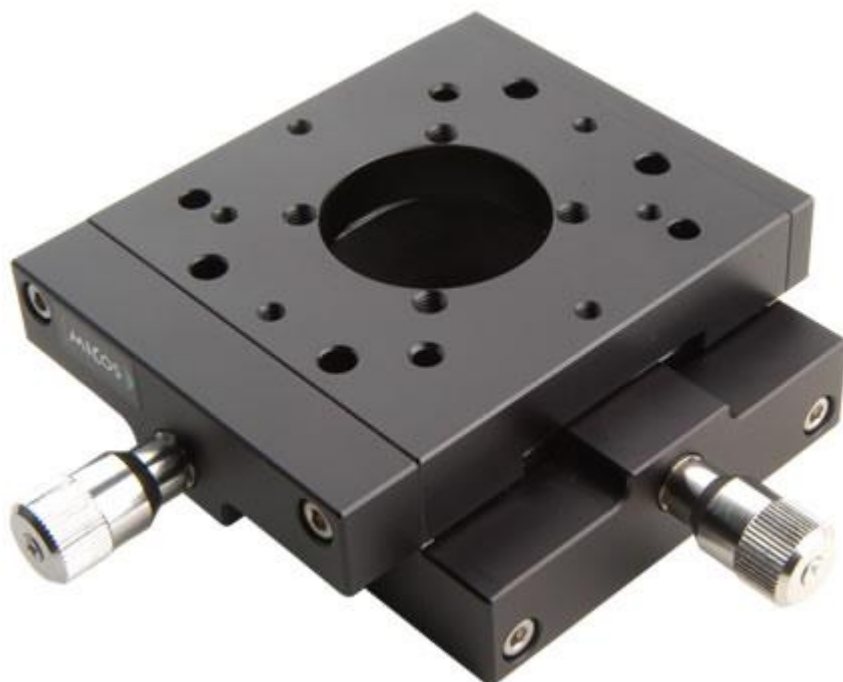
MICOS USA • 15375 BARRANCA PARKWAY • STE G101 • IRVINE • CA 92618 • PHONE 949 480 0538 • FAX 949 480 0538

Page

6.000

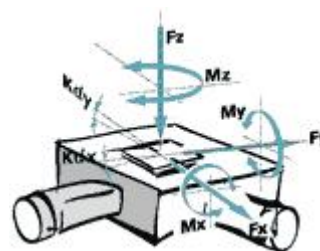
Cross Stage AKT-65

Manual Positioners



Key features

- Travel range 5 mm X & Y
- Load capacity 4 kg
- Dove tail slide
- 30 mm clear aperture
- Module combination



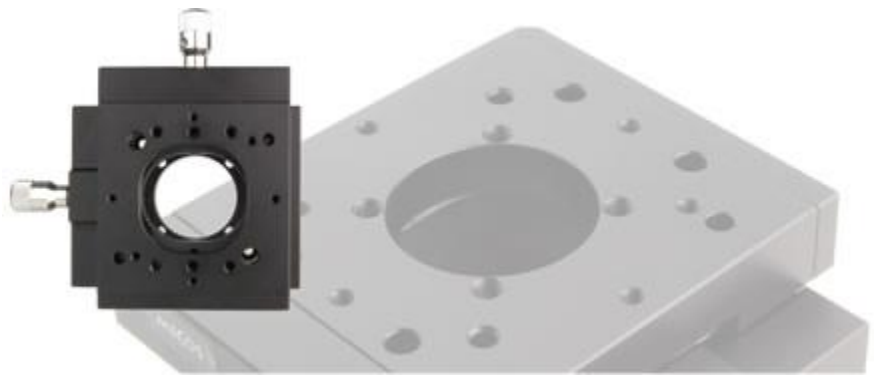
FACTS

Load Characteristics	Fx (N)	Fy (N)	Fz (N)	Mx (Nm)	My (Nm)	Mz (Nm)
LD-010	20	20	40	30	30	30

DESCRIPTION

Special characteristic of the Cross Stage **AKT-65** is its very compact structural shape. The module is suitable for the precise positioning of light construction parts. The translation is made with a

Finscrew LD-010.
Resolutions up to 350µm
can be achieved.



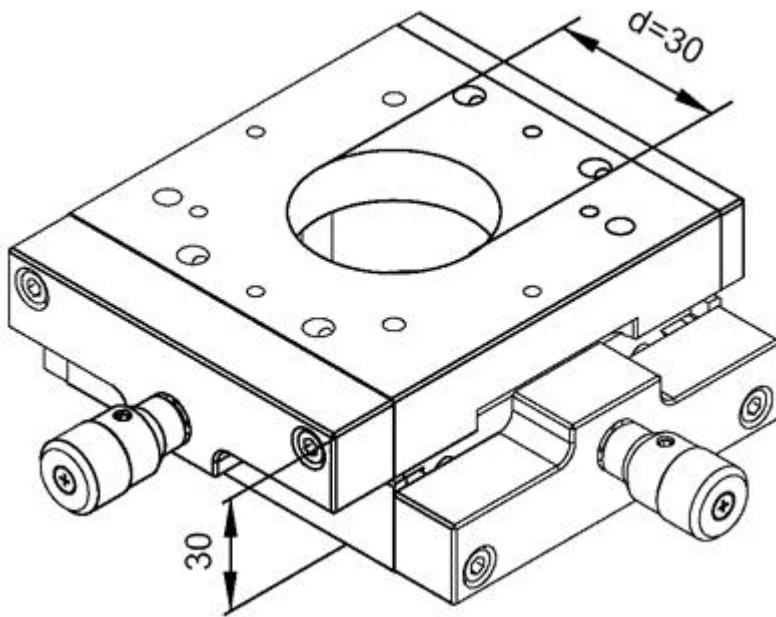
Technical data

Travel Range (mm)	5 x 5
Bi-directional Repeatability (µm)	-
Accuracy per 25 mm (µm)	+/- 10
Velocity Range (mm/sec)	-
Straightness / Flatness (µm)	+/- 10
Pitch (µrad)	+/- 400
Yaw (µrad)	+/- 400
Leadscrew Pitch (mm)	0.35

Resolution (µm)	
LD-010, Lead screw	350

Sensitivity (µm)	
LD-010, Lead screw	3.5

Material	Special Alu, black anodized
Weight (kg)	0.7



MOTION CONTROL Systems Positioners MiniPos DirectDrives Controllers ManPos Accessories Vacuum MAC PhotonX M A C

AKT-65 Ordering information

Cross Stage	Order-No.
AKT-65	4212-9-200

Founded in 1990, MICOS specializes in the development, manufacturing and marketing of ultra-high precision positioning components and systems for research and industry. We are experts in vacuum, ultra-high vacuum, clean room, and extreme climate environments down to 77 Kelvin. ▶▶

[Terms](#) | [Sitemap](#) | [About us](#) | [Contact](#) | [Catalog](#) | [Shows](#) | [News](#) | [Offices](#) | [Partners](#) | [Press Center](#) | [Support](#) | [Team](#) | [Home](#)
MOTION CONTROL = [Systems](#) | [Positioners](#) | [MiniPositioners](#) | [DirectDrives](#) | [Controllers](#) | [ManPositioners](#) | [Accessories](#) | [Vacuum](#)
MAC PhotonX = [Moskito](#) | [Albatros](#) | [Campus](#)

Copyright 2006 © MICOS GmbH